



LUOYANG GOLDEN EGRET GEOTOOLS CO.,LTD.

ADD:NO.68,North Road,National High & New Tech Industry Zone,Luoyang,Henan,China

TEL: +86-379-61101101

FAX: +86-379-61101766

PC: 471000

Email: gcgj@cxtc.com

WEB: en.xtcgtl.com

http://www.cxtc.com

EARTHWORK TOOLS

—— Experts In Carbide as well as earthwork tools solution provider,
XTC willing to maximize your value return



Luoyang Golden Egret Geotools Co., Ltd.

CONTENTS

01	About XTC	XTC	01
		XTC Luoyang	02
		Industrial Chain	03
02	About XTC	Technical Advantages	05
03	Products	Coal Mining Picks	07
		Road Header Picks	11
		Foundation Drilling Picks	15
		Road Milling Picks	19
		Open-Pit Picks	23
		Trenching Picks	25
		Wearing and Crushing Picks	27
		Roof Bits	29
		Cone Bits	31
04	Applications		33
05	Quality Assurance and Quality Control		35
06	Sales Distribution Network		39





XTC LUOYANG

Luoyang Golden Egret Geotools Co., Ltd. is wholly-owned subsidiary by XTC and focuses on the processing and improvement of tungsten carbide products, including tungsten powder, tungsten carbide powder, hard facing materials, carbide anvil, carbide roll ring, carbide substrate for PDC (polycrystalline diamond compact) bit ,mining and earthwork drilling tools and so on.

 33 Hectare Land Occupation

 150 Total Assets Million USD


 900+ Employees

XTC


Xiamen Tungsten Company (XTC) is one of the top 500 listed companies in China. It has a complete tungsten industry chain and a complete rare earth industry system. The tungsten products include various tungsten series products such as tungsten concentrates, tungsten and molybdenum intermediate products, powder products, wire, plates, cemented carbide products, cutting tools, mining and earthwork drilling tools; and the rare earth products include rare earth oxides, rare earth metals, rare earth luminescent materials, magnetic materials, rare earth hydrogen storage materials, lithium battery materials and other rare earth materials and new source of energy materials.

 32 Holding Subsidiaries

 21 Business Divisions

 3.2 Total Assets Billion USD

 19.6 Revenue Billion USD

 763+ Patents

 12000+ Employees



INDUSTRIAL CHAIN

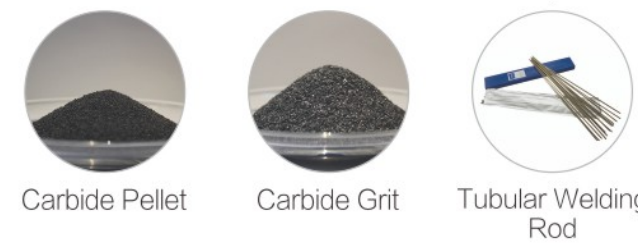
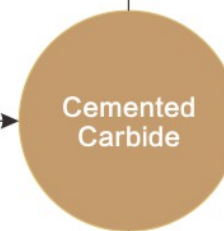
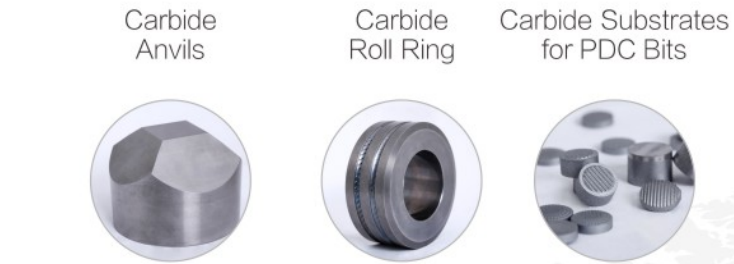
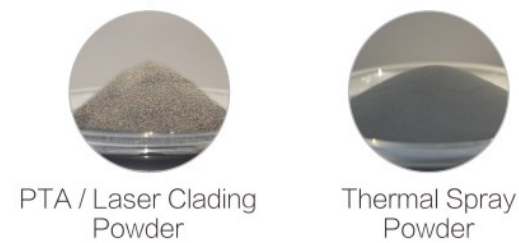
XTC has been the biggest supplier of tungsten powder, tungsten carbide powder, bar and mining carbide in the world and committed to the worldwide supplier of earthworks and rock drilling tools.



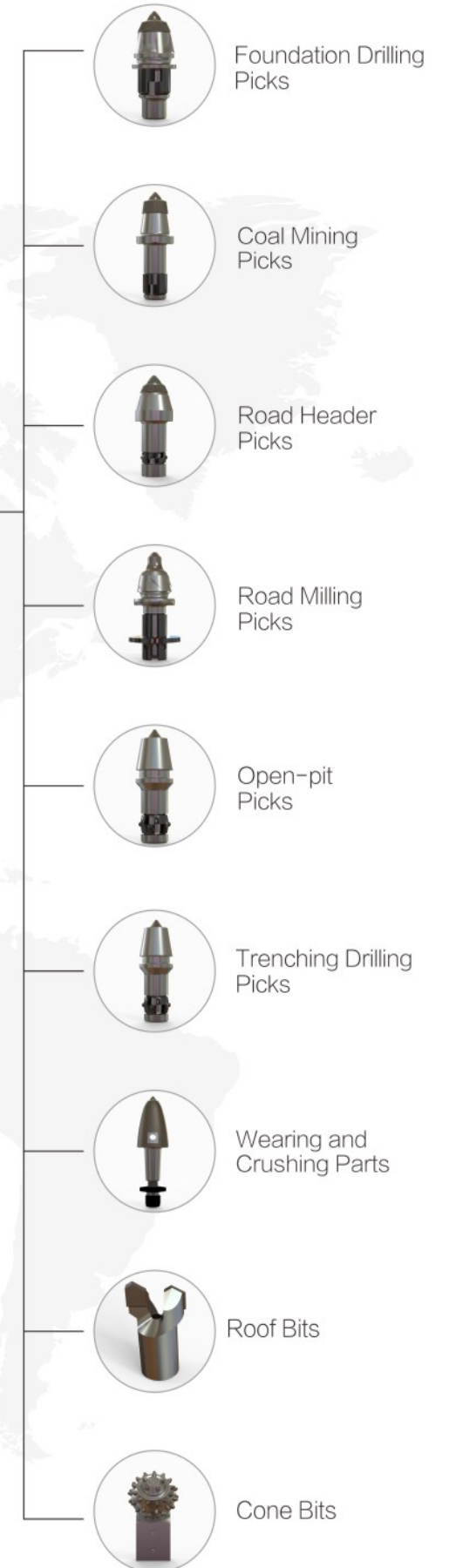
32% Tungsten ore
XTC is the largest owner of tungsten ore and retain 32% tungsten resource of the world.

20% Tungsten powder
XTC is the top one supplier and have 20% of the global market share.

28% Tungsten carbide powder
XTC is the top one supplier and have 28% of the global market share.



■ TAILOR-MADE SOLUTION ACCORDING TO YOUR WORKING CONDITION REQUIREMENTS



ADVANTAGES OF TECHNOLOGY CENTER



-  National Technology Platform
-  First-class R&D Facilities
-  More than 2200 Technical Professionals
-  Multiple National Technology Awards
-  Post-doctoral Work Stations
-  Full supply chain from ore to downstream carbide products
-  At least 3% investment on R&D based on the company's yearly sales revenue
-  Partnership with 20 scientific research institutes, Universities

ADVANTAGES OF THE SHANK

Based on powerful technical research and development capabilities, XTC Luoyang has done serial research on the wear resistance and toughness of steel substrates to offer customized solutions for different requirements by holding the key control points of the process to scientifically guide the production process and modular design.

ADVANTAGES OF THE CEMENTED CARBIDE

With many years of experience and advanced technology, XTC Luoyang consistently maintains the high quality of top non-porous cemented carbides with high purity raw materials. And it makes the cemented carbide products with strong uniformity, ultra coarse grains and ultra-wear resistance becomes a reality. Relying on the technology of tungsten carbide dot arrangement and perfect granularity configuration, the new cemented carbide products shows excellent toughness and high temperature wear resistance to satisfy various work conditions and requirement of clients.



Cylindrical C25

Slim S25

Flat F21



Hat H24

Mushroom M24



Conventional carbide metallography



Ultra coarse carbide metallography

COAL MINING PICKS

Properties:

Standard design for more selections

- ◎ Standard design of the main body.
- ◎ Standard design of the gauge protects the block.
- ◎ The inner retainer improves the clamping force.

Unique design of the pick

- ◎ XTC unique hard facing materials welded on the pick improve the wear resistance.
- ◎ Specialized design of the cemented carbide for application in different working conditions.



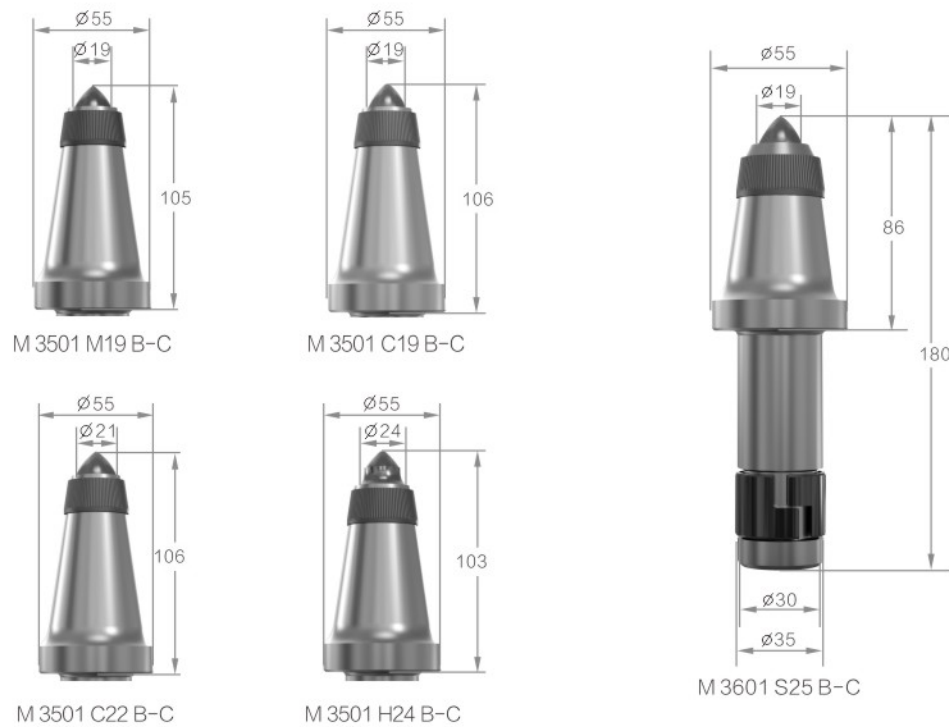
Working machines	Shank series	Product number	Application
Shearer	Shaft ϕ 30 series	M 3101 M19 B-C	Soft coal seam
		M 3101 C19 B-C	Soft coal seam
		M 3101 C22 B-C	Medium hard coal seam / Rock stratum
		M 3202 M19 B-C	Soft coal / Lump coal rate
		M 3202 C19 B-C	Soft coal / Lump coal rate
	Shaft ϕ 35 series	M 3501 M19 B-C	Soft coal / Lump coal rate
		M 3501 C19 B-C	Soft coal / Lump coal rate
		M 3501 C22 B-C	Medium hard coal / Lump coal rate
		M 3501 H24 B-C	Medium hard coal or rock / Lump coal rate
		M 3502 M19 B-C	Soft coal seam
		M 3502 C19 B-C	Soft coal seam
		M 3502 C22 B-C	Medium hard coal seam
		M 3502 H24 B-C	Medium hard coal seam /Rock staratum
		M 3502 S25 B-C	Medium hard coal seam /Rock staratum
		M 3601 S25 B-C	Soft coal seam
		M 3701 M25 B-C	Medium hard coal seam
		M 3701 S25 B-C	Medium hard coal seam / Rock stratum
		M 3701 C25 B-C	Medium hard coal seam / Rock stratum
		M 3701 S30 B-C	Extremely hard coal gangue / Rock stratum
		Shaft ϕ 30-38 series	M 3401 C19 B-C
	M 3401 C22 B-C		Medium hard coal seam / Rock stratum
	M 3402 C19 B-C		Soft and strong weathered coal seam
	M 3402 C22 B-C		Medium hard coal seam / Rock stratum
	Shaft ϕ 35-43 series	M 3801 S25 B-C	Medium hard coal seam / Rock stratum
		M 3801 C25 B-C	Medium hard coal seam / Rock stratum
		M 3802 S30 B-C	Extremely hard coal gangue / Rock stratum
		M 38A S30 B-C	Extremely hard coal gangue / Rock stratum

■ TAILOR-MADE SOLUTION ACCORDING TO YOUR WORKING CONDITION REQUIREMENTS

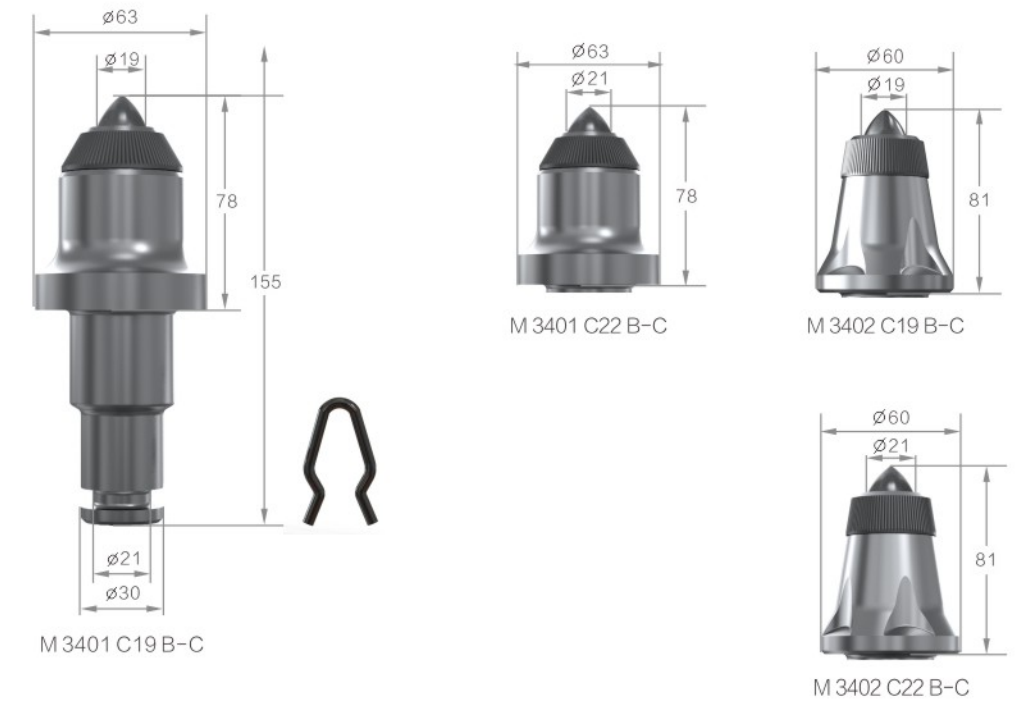
Shank Diameter $\varnothing 30$



Shank Diameter $\varnothing 35$



Shank Diameter $\varnothing 30 - \varnothing 38$

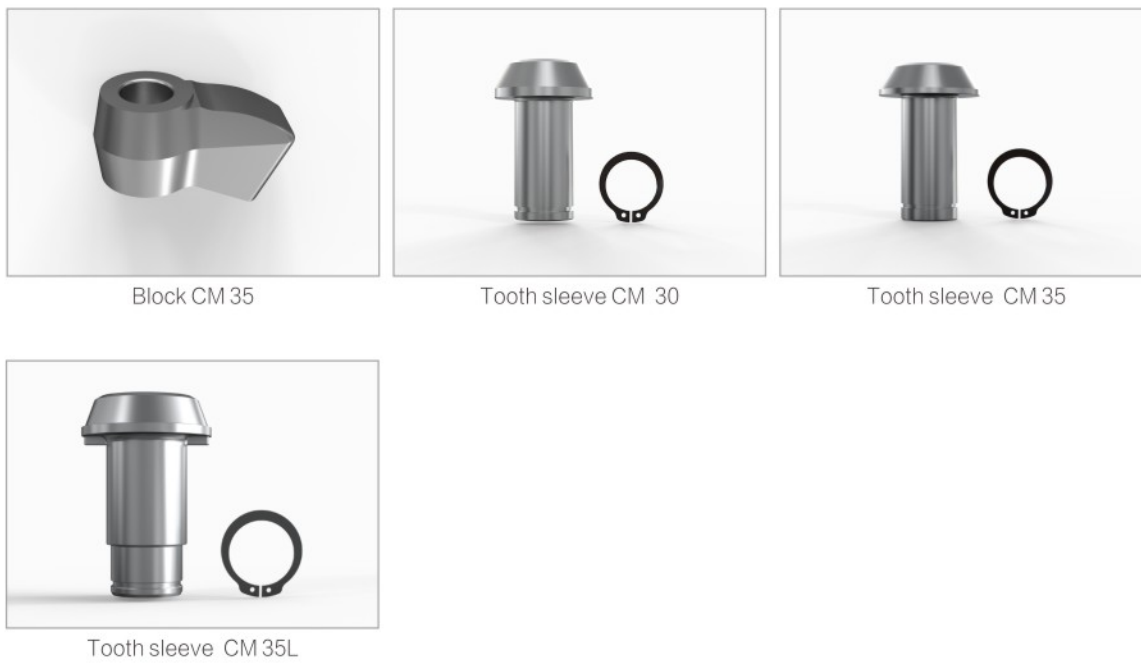


■ TAILOR-MADE SOLUTION ACCORDING TO YOUR WORKING CONDITION REQUIREMENTS

Shank Diameter $\varnothing 35 - \varnothing 43$



BLOCK SYSTEM



ROAD HEADER PICKS

Properties:

Standard design for more selection

- ◎ Standard design of the main body.
- ◎ Standard design of the gauge protects the block.
- ◎ The inner retainer improves the clamping force.

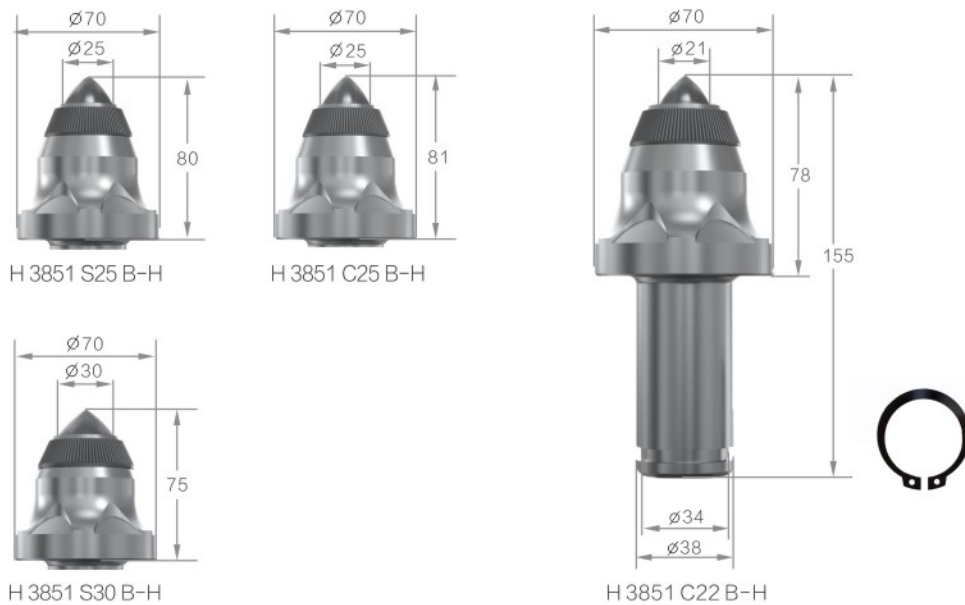
Unique design of the pick

- ◎ XTC unique hard facing materials welded on the pick improve the wear resistance.
- ◎ Specialized design of the cemented carbide for application in different working conditions.

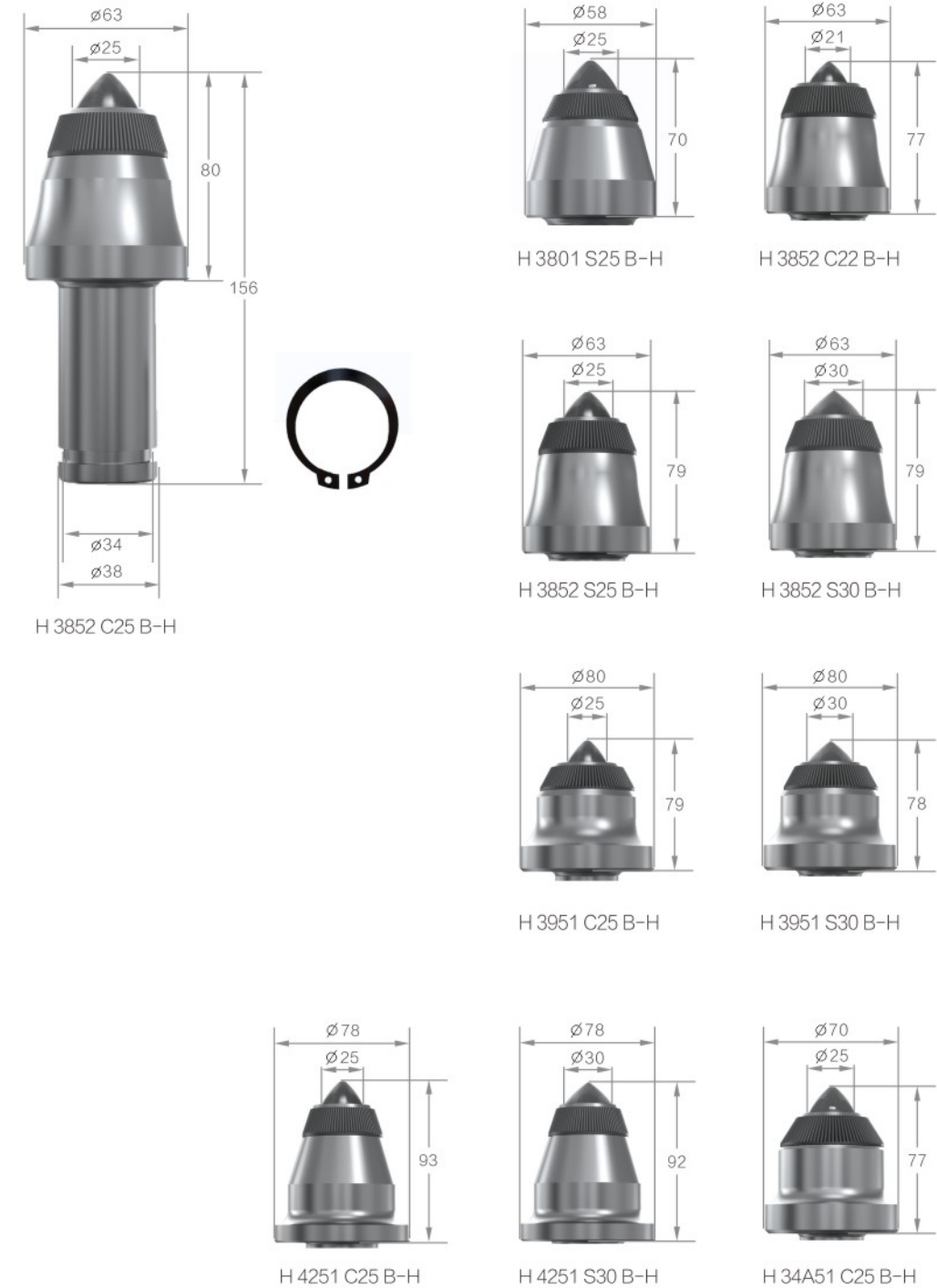


Working machines	Series	Product number	Application
Road header	Pioneer	H 3851 C22 B-H	High efficiency in Soft rock stratum
		H 3851 S25 B-H	High efficiency in medium hard rock/ Weakly-weathered hard rock
		H 3851 C25 B-H	High efficiency in medium hard rock/ Weakly-weathered hard rock
		H 3851 S30 B-H	Extremely hard rock / Thick rock in slight-weathered
	Robust	H 3852 C22 B-H	Soft rock stratum
		H 3852 S25 B-H	Medium hard rock/ Slight-weathered hard rock
		H 3852 C25 B-H	Medium hard rock/ Slight-weathered hard rock
		H 3852 S30 B-H	Extremely hard rock / Thick rock in slight-weathered
		H 3951 C25 B-H	Medium hard rock/ Slight-weathered hard rock
		H 3951 S30 B-H	Extremely hard rock / Thick rock in slight-weathered
		H 4251 C25 B-H	Medium hard rock/ Slight-weathered hard rock
		H 4251 S30 B-H	Extremely hard rock / Thick rock in slight-weathered
		H 3801 S25 B-H	Medium hard rock/ Slight-weathered hard rock
		H 34A51 C25 B-H	Medium hard rock/ Slight-weathered hard rock

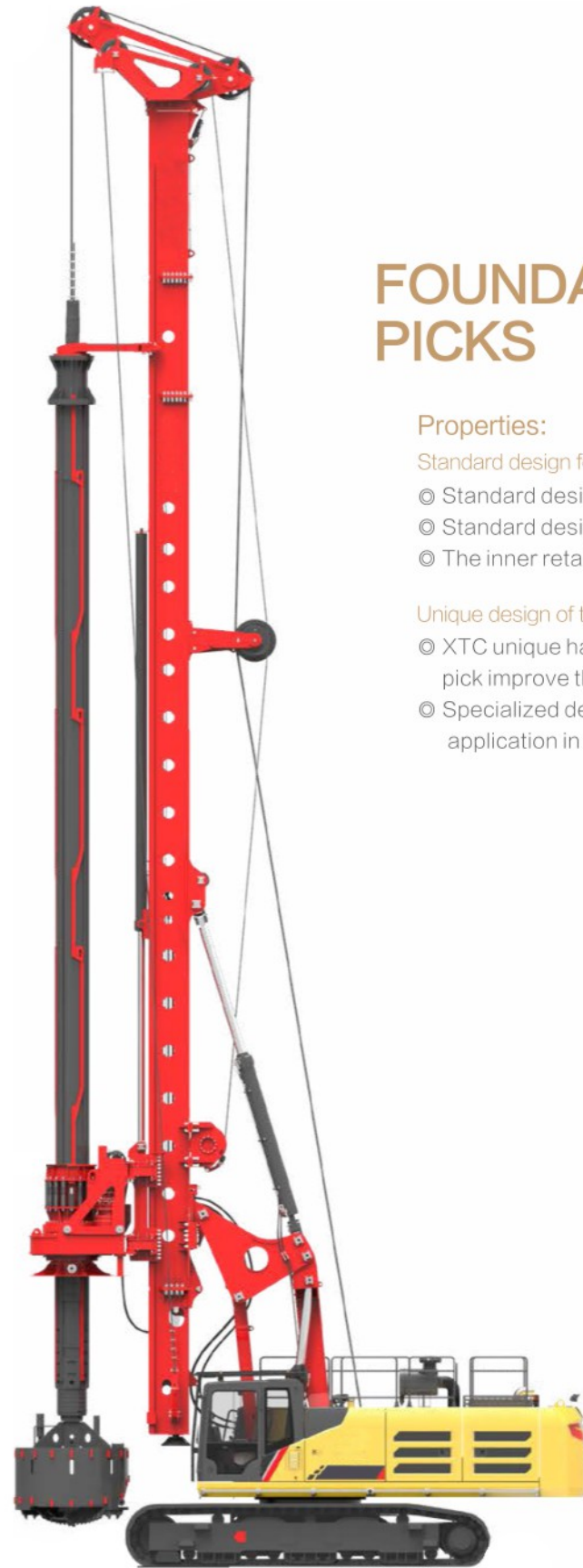
Pioneer



Robust



■ TAILOR-MADE SOLUTION ACCORDING TO YOUR WORKING CONDITION REQUIREMENTS



FOUNDATION DRILLING PICKS

Properties:

Standard design for more selection

- ◎ Standard design of the main body.
- ◎ Standard design of the gauge protects the block.
- ◎ The inner retainer improves the clamping force.

Unique design of the pick

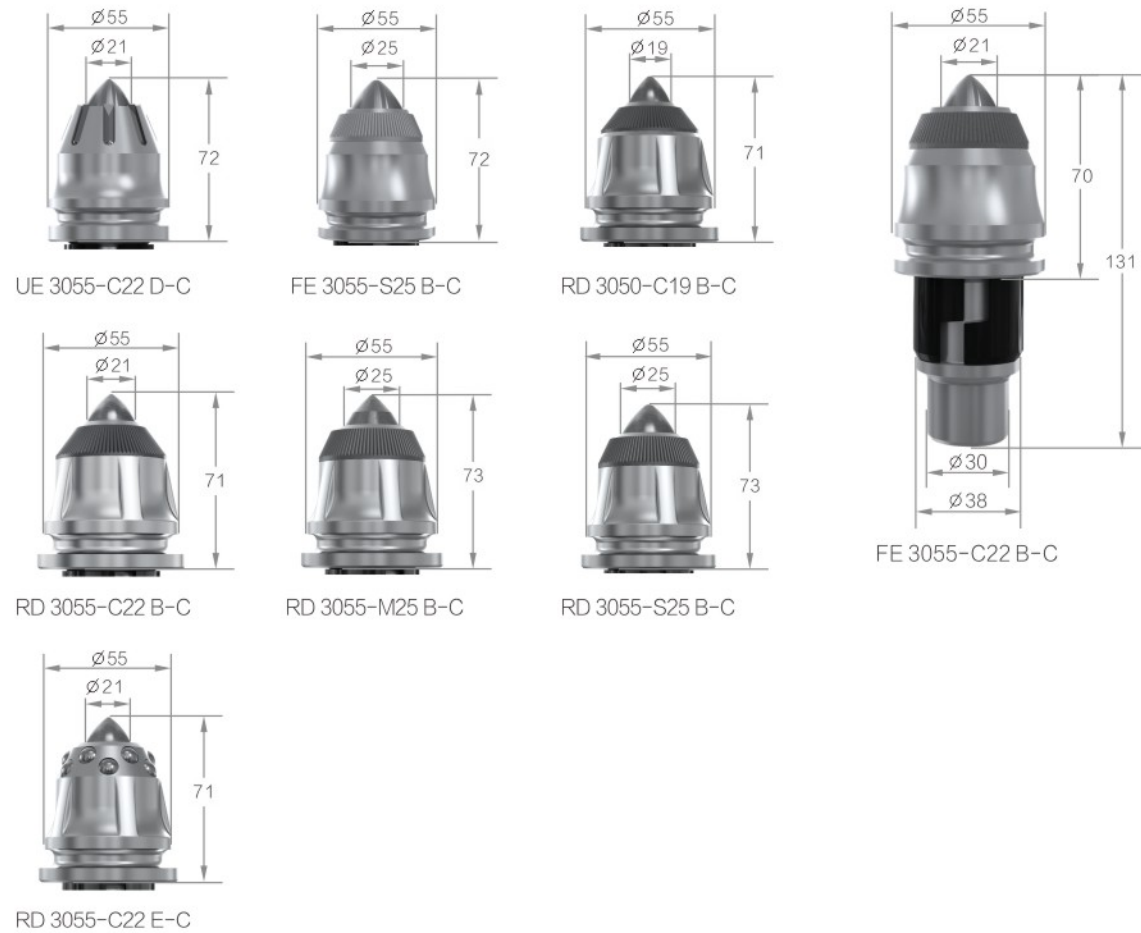
- ◎ XTC unique hard facing materials welded on the pick improve the wear resistance.
- ◎ Specialized design of the cemented carbide for application in different working conditions.

Working machines	Shank series	Product number	Application
Foundation drilling rig	3050 Series	UE 3050-C17 D-C	Highly weathered and abrasive rock
		UE 3050-C19 D-C	Medium hard abrasive rock
		UE 3050-C22 D-C	Medium hard abrasive rock
		RD 3050-C19 -C	Cobble/soft rock / Highly-weathered hard rock
		RD 3050-C19 B-C	Soil / Highly weathered rock
		RD 3050-C22 B-C	Medium hard rock / Slight-weathered hard rock
	3055 Series	UE 3055-C22 D-C	Hard and abrasive rock
		FE 3055-C22 B-C	Medium hard rock
		FE 3055-S25 B-C	Medium hard rock
		RD 3055-C19 B-C	Medium hard rock
		RD 3055-C22 B-C	Medium hard rock
		RD 3055-M25 B-C	Medium hard rock
		RD 3055-S25 B-C	Medium hard rock
		RD 3055-C22 E-C	Medium hard rock Stratum with impact resistance
	3060 Series	FE 3060-S30 B-C	Extremely hard rock / Thick rock in slight-weathered
		FE 3060A-C19 B-N	Cobbles / Soft rock
		RD 3060-C19 B-C	Cobbles / Soft rock
		RD 3060-C22 B-C	Medium hard rock
		RD 3060-S25 B-C	Medium hard rock
		RD 3060-C25 B-C	Medium hard rock
		RD 3060-S30 B-C	Extremely hard and slight-weathered rock
		RD 3060-S25 E-C	Medium hard rock with impact resistance
		RD 3060-C22 E-C	Medium hard rock with impact resistance

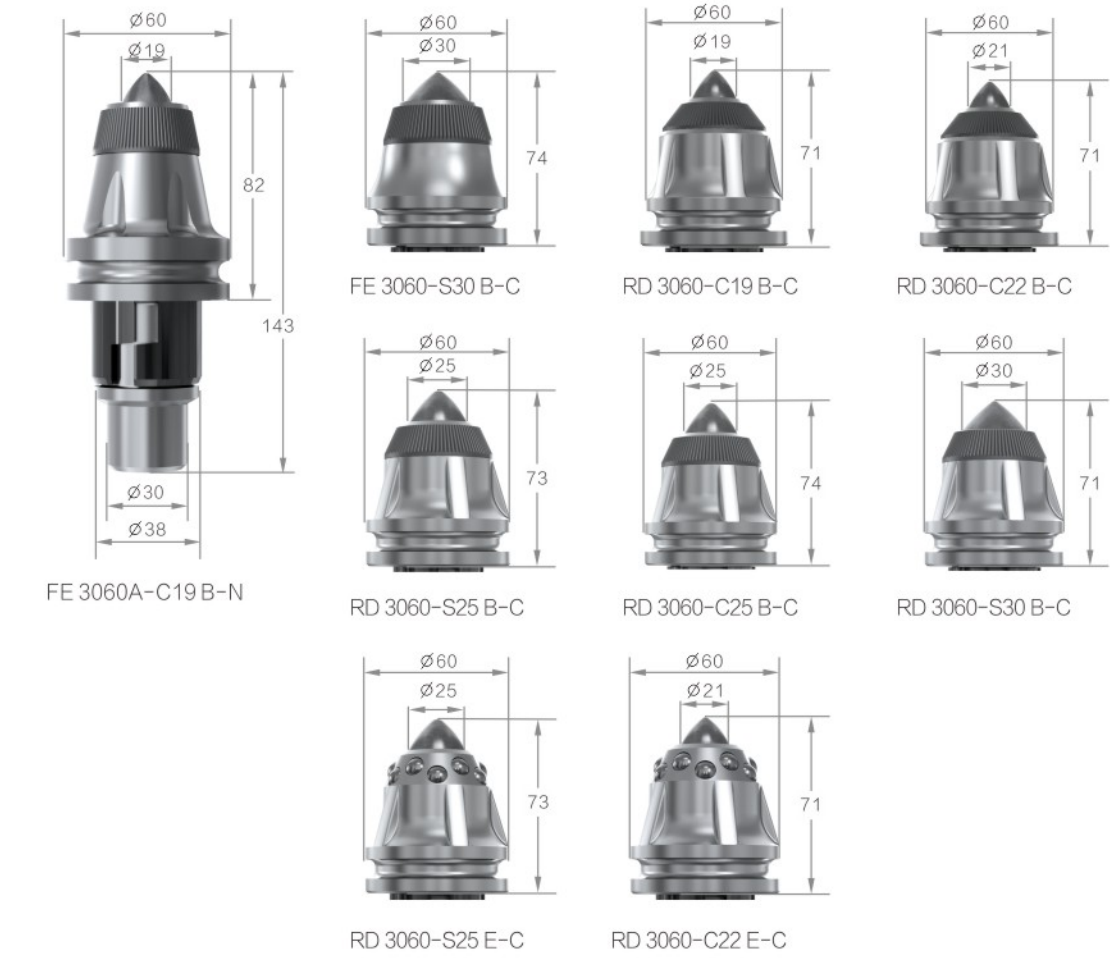
3050 Series



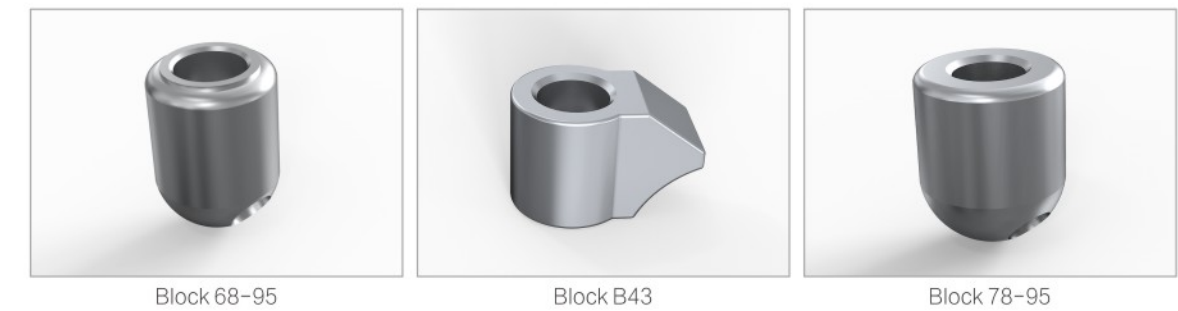
3055 Series



3060 Series



BLOCK SYSTEM



■ TAILOR-MADE SOLUTION ACCORDING TO YOUR WORKING CONDITION REQUIREMENTS

ROAD MILLING PICKS

Properties:

Standard design for more selection

- ◎ Shank dimensions to suit all common holder systems
- ◎ Body design to maximize holder protection
- ◎ Improved retainer design to maximize clamping force

Unique design of the pick

- ◎ Special designs of the carbide tip to best match the different working conditions



Equipment	Series	Product number	Working conditions	Application
Road Milling machines	Asphalt series	RA 1201 F18 S	For milling asphalt road	Asphalt / Stable cement gravel pavement
		RA 1201 F19 S	For milling asphalt road	Asphalt / Stable cement gravel pavement
		RA 1201 F20 S	For milling asphalt road	Asphalt / Stable cement gravel pavement
		RA 1201 F21 S	For milling asphalt road	Asphalt / Stable cement gravel pavement
		RA 1201 F22 S	For milling asphalt road	Asphalt / Stable cement gravel pavement
	Concrete series	RC 1301 C12 S	For milling cement road / Stable cement gravel	Cement road milling
		RC 1301 C13 S	For milling cement road / Stable cement gravel	Cement road milling
	Rehabilitation series	R 1401 C18 S	Road rehabilitation / Milling the soil	Road rehabilitation /Milling the soil

Asphalt Series



RA 1201 F18 S



RA 1201 F19 S



RA 1201 F20 S



RA 1201 F21 S



RA 1201 F22 S

Concrete Series



RC 1301 C12 S



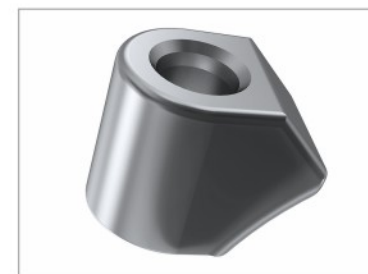
RC 1301 C13 S

Rehabilitation series



R 1401 C18 S

BLOCK SYSTEM



OPEN-PIT PICKS

Properties:

Shank dimensions to suit all common holder systems

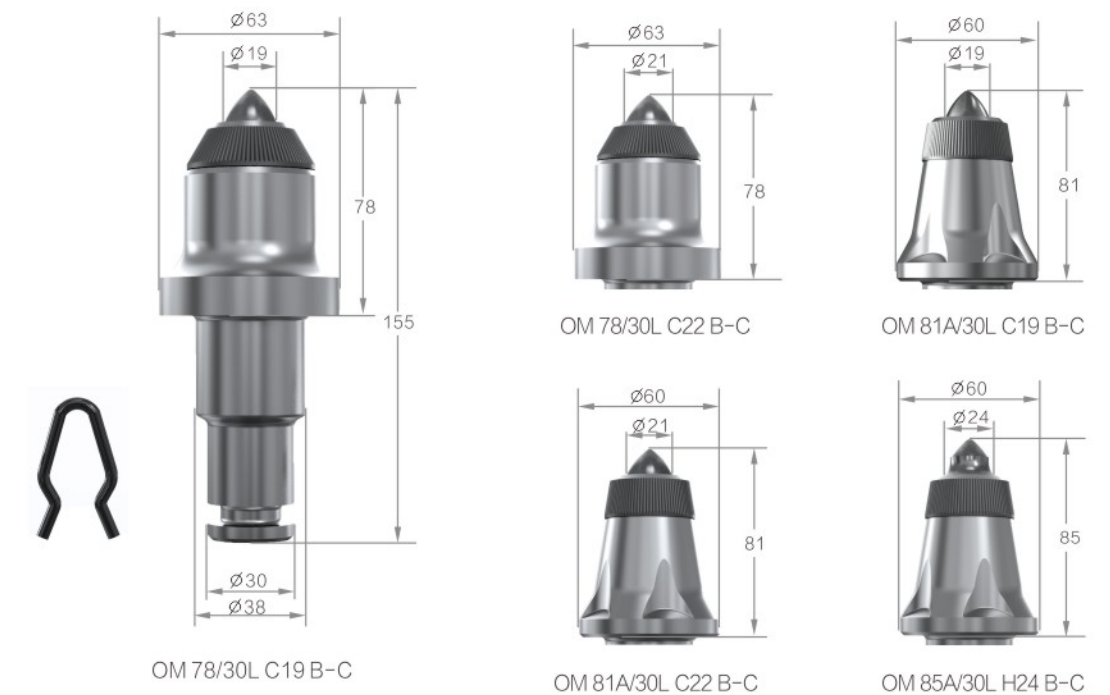
- ◎ Body design to maximize holder protection
- ◎ Improved retainer design to maximize clamping force

Unique design of the pick

- ◎ XTC unique hard facing materials welded on the pick to improve the wear resistance
- ◎ Special designs of the carbide tip to best match the different working conditions

Working machines	Series	Product number	Application
Open-pit mining machine	Open-pit picks	OM 78/30L C19 B-C	Soft rock
		OM 78/30L C22 B-C	Medium hard rock
		OM 81A/30L C19 B-C	Soft rock and medium hard rock
		OM 81A/30L C22 B-C	Medium hard rock
		OM 85A/30L H24 B-C	Soft rock

Open-pit Picks



■ TAILOR-MADE SOLUTION ACCORDING TO YOUR WORKING CONDITION REQUIREMENTS

TRENCHING DRILLING PICKS

Properties:

Standard design for more selection:

- ⊙ Standard design of the main body.
- ⊙ Standard design of the gauge protects the block.
- ⊙ The inner retainer improves the clamping force.

Unique design of the pick

- ⊙ Specialized design of the cemented carbide for application in different working conditions.

Working machines	Series	Product number	Application
Trencher	Trenching drilling picks	DT 61/25 C12 S	Medium hard rock
		DT 54/25 C12 S	Medium hard rock
		DT 62/25 M25 S	Soft / Medium hard rock
		DT 43/19 F16 S	Soft rock
		DT 38/19 C12 S	Soft rock



Trenching Drilling Picks



■ TAILOR-MADE SOLUTION ACCORDING TO YOUR WORKING CONDITION REQUIREMENTS

ROOF BITS

Properties:

Standard design for more selection

- ◎ Standard design of the main body.
- ◎ Standard threaded connection well matched with the bolt.

Unique design of the bits

- ◎ Specialized design of the cemented carbide and polycrystalline diamond (PCD) suitable for all kinds of drilling machines.



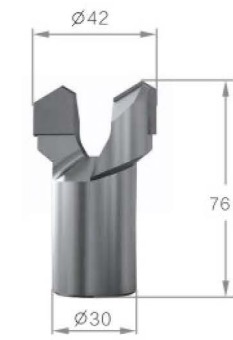
Roof Bits



C2-R2245



P2-R2245



C2-R2242



P2-R2242



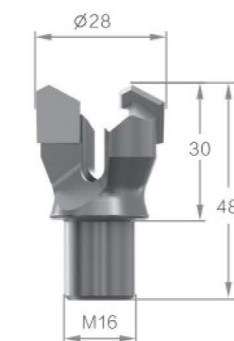
C2-M1642



C2-M1645



C1-M1628



C2-M1628



P2-M1627

■ TAILOR-MADE SOLUTION ACCORDING TO YOUR WORKING CONDITION REQUIREMENTS

CONE BITS

Properties:

Standard design for more selection:

- ◎ Standard design of the main body.

Unique design of the cone bits:

- ◎ XTC unique hard facing materials welded improves the leg wear resistance.
- ◎ Specialized design of the cemented carbide suitable for all kinds of foundation drilling rigs.



Working machines	Series	Product number	Application
Foundation drilling rig	Cone bits	GXGW144C	Aeolian wind-blown granite and other extremely hard rock / Wear-resistance
		GZGQ136H	Strong weathering / soft rock / High efficiency
		GZGW141H	The aeolization of the medium-hard rock is efficient

Cone Bits



■ TAILOR-MADE SOLUTION ACCORDING TO YOUR WORKING CONDITION REQUIREMENTS

APPLICATIONS

Applications of the coal mining picks



Brand	Model	Test site	Working conditions	Service life
XTC	CM 89/35-Z21B-C	Coal mine in Australia	F5 Gangue Coal Steam, 2.4 Faultage	13 pcs / 10,000 tons of coal
A brand	U92-22			16 pcs / 10,000 tons of coal
B brand	U92-22			17 pcs / 10,000 tons of coal

Applications of the road header picks

XTC



Other brand



Brand	Model	Test site	Working condition	Service life
XTC	RH 78/38-S30B-H	Jiangbei tunnel, Chongqing Province	F10 Sandstone	1120m ³
Other brand	S135-30			800m ³

Applications of the foundation drilling picks

XTC



Other brand



Brand	Model	Test Site	Working condition	Service life
XTC	RD 3060-S25B-H	Manila, Philippines	F8 Basalt	Above 35m
Other brand	3060-25			26-32m

Applications of the road milling picks

XTC



7289m² milling operation 16917m² milling operation 23896m² milling operation 33148m² milling operation Milling operation: 37884m² of asphaltum concrete and 5600m² of cement stabilized macadam base

Production Quality Assurance and Quality Control



QUALITY CONTROL



SALES DISTRIBUTION NETWORK



Worldwide Branch

- © Golden Egret Carbide do Brazil, Ltda.
- © TAIPEI Golden Egret special alloy Co., Ltd.
- © Golden Egret Co.,Ltd.
- © Golden Egret Carbide Germany GmbH
- © Golden Egret Cement Carbide (Thailand) Co., Ltd.
- © Golden Egret Carbide Japan Co.,Ltd.